

Wireless Light Sensor

Wireless Sensor Network Based on LoRa Technology



R313B Data Sheet

Copyright©Netvox Technology Co., Ltd.

This document contains proprietary technical information which is the property of NETVOX Technology. It shall be maintained in strict confidence and shall not be disclosed to other parties, in whole or in part, without written permission of NETVOX Technology. The specifications are subject to change without prior notice.

Wireless Light Sensor

Introduction

R313B is a Wireless Light Sensor based on the LoRaWAN open protocol (Class A).

When the illuminance exceeds the set threshold, a report will be sent immediately.

Main Characteristic

- 2 sections 3.0V CR2450 button batteries in parallel
- Compatible with LoRaWAN protocol
- Adopt SX1276 wireless communication module
- Illumination detection
- Compatible with LoRaWAN™ Class A
- Frequency hopping spread spectrum
- Configuration parameters can be configured through third-party software platforms, data can be read and alarms can be set via SMS text and email (optional)
- Applicable to the third-party platforms: Actility/ThingPark, TTN, MyDevices/Cayenne
- Low power consumption and long battery life

Note:

Battery life is determined by the sensor reporting frequency and other variables, please refer to

http://www.netvox.com.tw/electric/electric_calc.html

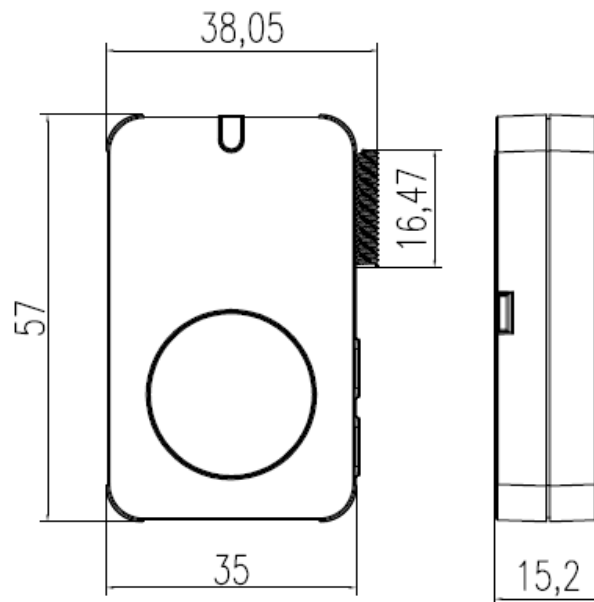
On this website, users can find battery life of various models in different configurations.

Application

- Light intensity detecting area

Wireless Light Sensor

Dimension



Electric

Input Power	2 x 3.0V CR2450 button batteries in parallel (The capacity of each CR2450 battery is 620mah.)
Operating Voltage Range	2.4V to 3.0V
Low Voltage Threshold	2.4v
Battery Measurement Accuracy	± 0.1V
Standby Current	12uA/3.0V
Transmitting Current (max)	120mA / 3.0V
Receiving Current (max)	11mA/ 3.0V

Light Sensor

Illumination Range	1 LUX to 3000 LUX
--------------------	-------------------

Wireless Light Sensor

Frequency

Frequency Range	863MHz-928MHz 470MHz-510MHz
TX Power	US915 20dbm AS923 16dbm AU915 20dbm CN470 19.15dbm EU868 16dbm KR920 14dbm IN865 20dbm
Receiving Sensitivity	-136dBm (LoRa, Spreading Factor=12, Bit Rate = 293bps) -121dBm (FSK, Frequency deviation=5kHz, Bit Rate=1.2kbps)
Antenna Type	External antenna
Communication Distance	10 km (visible linear obstacle-free transmission distance, actual transmission distance depending on the environment)
Data Transfer Rate	0.3kbps to 50k bps
Modulation Method	LoRa/FSK (Note: choose one of them)
Supportable LoRaWAN Frequency	EU863-870,US902-928,AU915-928,KR920-923,AS923-1,AS923-2,AS923-3,IN865-867,CN470-510 (Note: The frequency band is optional and needs to be configured before shipment)

Physical

Dimension	57 mm x 38.05 mm x 15.2 mm
Weight	45g
Environment Humidity	<90 %RH (No condensation)
Operating Temperature	-20°C to 55 °C
Storage Temperature	-40°C to 85 °C