

LiDAR For Material Level Detection Sensor R718PE02D Data Sheet

Wireless Sensor Network Based on LoRa Technology



Copyright©Netvox Technology Co., Ltd.

This document contains proprietary technical information which is the property of NETVOX Technology. It shall be maintained in strict confidence and shall not be disclosed to other parties, in whole or in part, without written permission of NETVOX Technology. The specifications are subject to change without prior notice.

LiDAR For Material Level Detection Sensor

Introduction

R718PE02D is a wireless communication device that uses LiDAR radar for single-point ranging for the material level detection industry. Based on the ToF (Time of Flight) schematic, the R718PE02D provides stable, accurate, and reliable ranging performance by optimizing the optical system and built-in algorithms. It is not easily affected by the surface state of the detected object, and the ranging performance can reach up to 25m. The product is equipped with a unique dust-removal wiper structure. The radar-driven dust-removal wiper can complete the dust removal operation of the optical mirror, so it can maintain the accuracy of distance measurement in an environment with severe dust pollution and dust accumulation. The R718PE02D body and the LiDAR sensor communicate through the UART serial communication and transmit the detected data to other devices for display through the wireless network. It adopts a wireless communication method that conforms to the LoRa™ protocol standard.

Operating Principles

RF module and LiDAR radar communicate through UART.

Features

- SX1276 wireless communication module
- Powered by DC 5V/2A
- Main body IP30; sensor IP5X (partially waterproof)
- UART serial communication
- LoRaWAN™ Class C device
- Frequency hopping spread spectrum
- Support third-party platforms: Actility/ThingPark, TTN, MyDevices/Cayenne

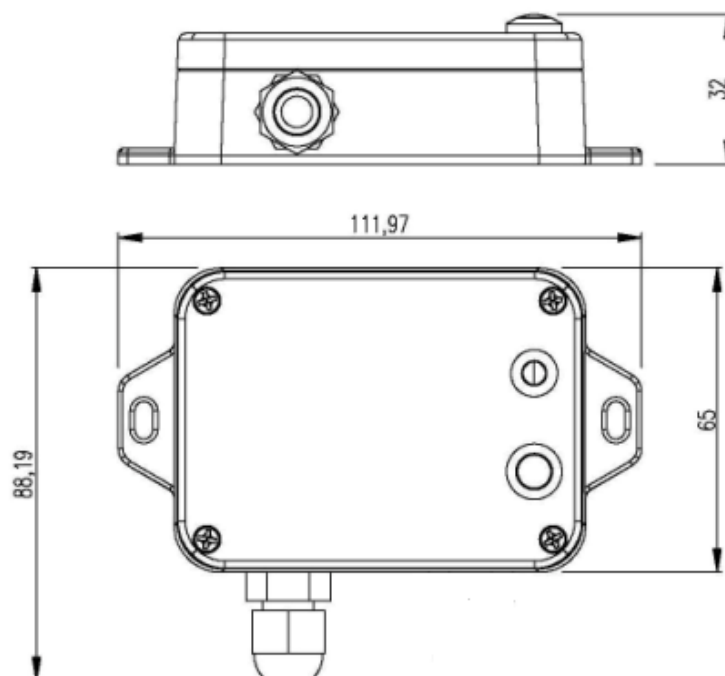
Application

- Material level detection
- Other ranging occasions

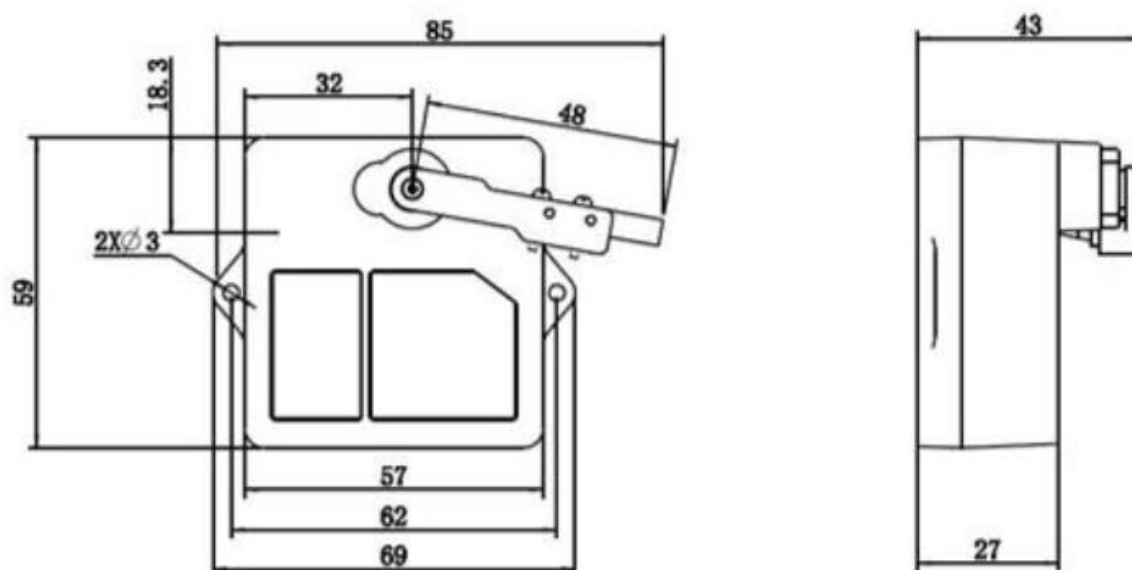
LiDAR For Material Level Detection Sensor

Dimensions

Main body: 112mm x 88.19mm x 32mm



LiDAR radar: 85mm x 59mm x 43mm



LiDAR For Material Level Detection Sensor

Electrical Specification

Power Supply	DC 5V/2A
Power Consumption	≤2W, peak current: 1A

R-100H module

Wake-up Current	(0.8mA-8mA) @3.3V
Receiving Current	11mA @3.3V
Transmitting Current	120mA @3.3V

*Specific electrical characteristics may vary depending on the power supply voltage.

LiDAR Sensor Parameters

Operating current	≤400mA; peak current: 1A	
Measurement Range	90% Reflectivity, 0K lux	0.1m to 25m
	10% Reflectivity, 0K lux	0.1m to 12m
	90% Reflectivity, 100K lux	0.1m to 25m
	10% Reflectivity, 100K lux	0.1m to 12m
Blind Zone	0 to 0.1m	
Range Resolution	1cm	
Detection Angle	3°	
Measurement Accuracy	±6 cm (0.1-6m) , ±1% (6-25m)	
Operating Temperature	-20°C to 60°C	
Storage Temperature	-30°C to 80°C	
Storage Humidity	<60%RH	
Cable length	120cm	

LiDAR For Material Level Detection Sensor

Frequency

Frequency Range	863MHz-928MHz 470MHz-510MHz
Power Output	US915 20dbm AS923 16dbm AU915 20dbm CN470 19.15dbm EU868 16dbm KR920 14dbm IN865 20dbm
Receiving Sensitivity	-136dBm (LoRa, Spreading Factor=12, Bit Rate=293bps) -121dBm (FSK,Frequency deviation=5kHz, Bit Rate=1.2kbps)
Antenna Type	Build-in antenna
Communication Distance	10km(visible linear obstacle-free transmission distance, actual transmission distance depends on the environment)
Data Transfer Rate	0.3kbps~50kbps(LoRaWAN) 1.2kbps ~ 300kbps (FSK)
Modulation	LoRa/FSK (Note: choose one modulation)
Available LoRaWAN Band	EU863-870 · US902-928 · AU915-928 , KR920-923 , AS923 , CN470-510, IN865 (Note: optional, to be done in the factory configuration)

Physical Properties

Dimensions	Mail body: L:112mm x W:88.19mm x H:32mm Sensor: 85mm x 59mm x 43mm
DC 5V Transformer Cable Length	1.5m
Ambient Temperature Range	-15°C to 55°C
Ambient Humidity Range	<60%RH (No condensation)
Storage Temperature	-25°C to 70°C